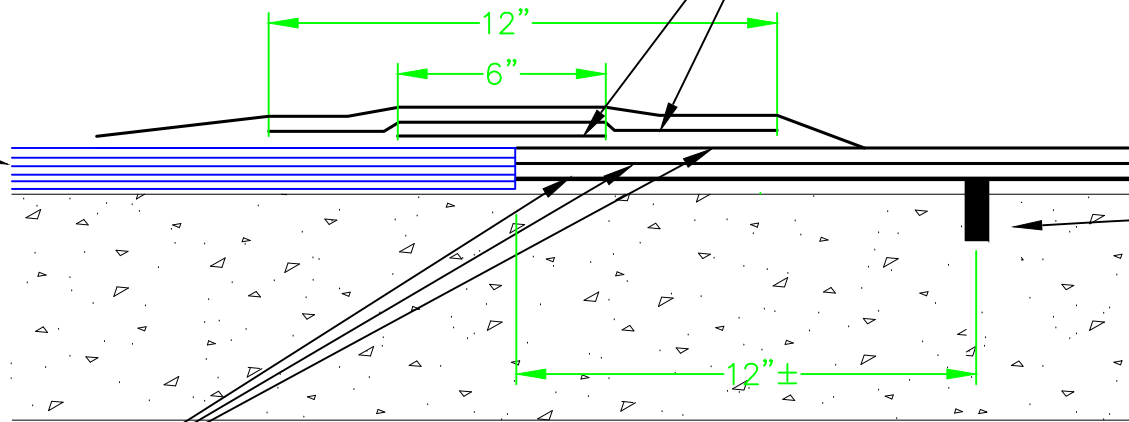


2 LAYERS OF RAM FL 327 NEOPRENE
 SET IN AND OVERCOATED WITH RAM
 COLD TAR

EXISTING CTP
 WATERPROOFING



REGLET CUT TO
 1" OR TOP OF
 REINFORCING

RAM-TOUGH 250 DM MONOLITHIC MEMBRANE SYSTEM
 RAM PROTECTION COURSE
 RT 250 BITUMEN - 125 MILS (MIN.)
 POLY-FELT 125VP REINFORCEMENT (2" SIDE LAP/6" END LAP)
 RT 250 BITUMEN - 90 MILS (MIN.)



Between the World
 and The Weather
 Since 1928

1.800.647.0100

www.barrettroofs.com

RAM-TOUGH 250 DM
 WATERPROOFING SYSTEMS

CONNECTION WITH
 EXISTING CTP MEMBRANE

(DRAWING NOT TO SCALE)

DRAWING NUMBER:

RT250-72

DATE ISSUED:

05/2016